

## High Definition Video Recorder HDVR

- ◆ Up to 5 Analog SXGA video inputs
- ◆ Up to 4 DVI digital input channels
- ◆ 2 Audio channels
- ◆ 2 Simultaneous recording channels
- ◆ Analog or digital monitor output
- ◆ Removable solid state media for PC playback
- ◆ Up to 4 hours recording per channel at 1280 x 1024, 30 fps
- ◆ JPEG 2000 video compression
- ◆ RS232, RS-422 or Ethernet control interface
- ◆ Open source Linux based
- ◆ Designed to RTCA/DO-160 environmental conditions



### Fully Flight Qualified



The High Definition Video Recorder (HDVR) is a ruggedized digital video recorder that supports up to five analog video inputs or four digital inputs. Capable of recording any two of the input streams simultaneously for

up to a maximum of four hours, the HDVR provides flexible recording options. Significantly longer recording times are achievable using a higher compression ratio. Playback of recorded videos is possible through a local monitor or via a compatible PC using the removable media module.

### Avionic Tanker Refueling Version

This version supports the following I/O configuration:

- ◆ 5 Analog XGA video inputs
- ◆ 1 OpenLDI monitor output
- ◆ 1 Multiplexed audio channel

Customization, including video input formats, mechanicals and I/O connector selection, available upon request. Please contact GECO for further details

## Engineering Solutions for Critical Environments

## Hardware Specification

The following specification is for the Avionics Tanker Refueling version of the HDVR. Other variants are available upon request.

### System Configuration

- ◆ Intel® 1.5 GHz Core™ 2 Duo based SBC
- ◆ FPGA based Video Compression module with Analog Devices ADV212 for JPEG 2000

### Recording

- ◆ 2 video channel and 1 audio simultaneous recording
- ◆ 2 hour recording per channel, 4 hours per channel available with higher capacity media module

### Playback

- ◆ Single channel playback on local monitor or PC via removable media module
- ◆ Features including play, stop, pause, next, and previous for local playback navigation

### Mechanical

- ◆ Dimensions 8.1 x 8.4 x 12.5 inches
- ◆ Weight 15 lbs
- ◆ 4 point base or rear mounting plate system

### Power Supply

- ◆ MIL-STD-704E
- ◆ 28VDC, 60 Watts

### Environment

- ◆ Operating temperature: -15 °C to +55 °C
- ◆ Storage temperature: -55°C to +85°C
- ◆ Operating altitude: -2000 ft to +25,000 ft
- ◆ EMI per EN55022, class B
- ◆ RTCA/DO-160D Category S, curve B random vibration

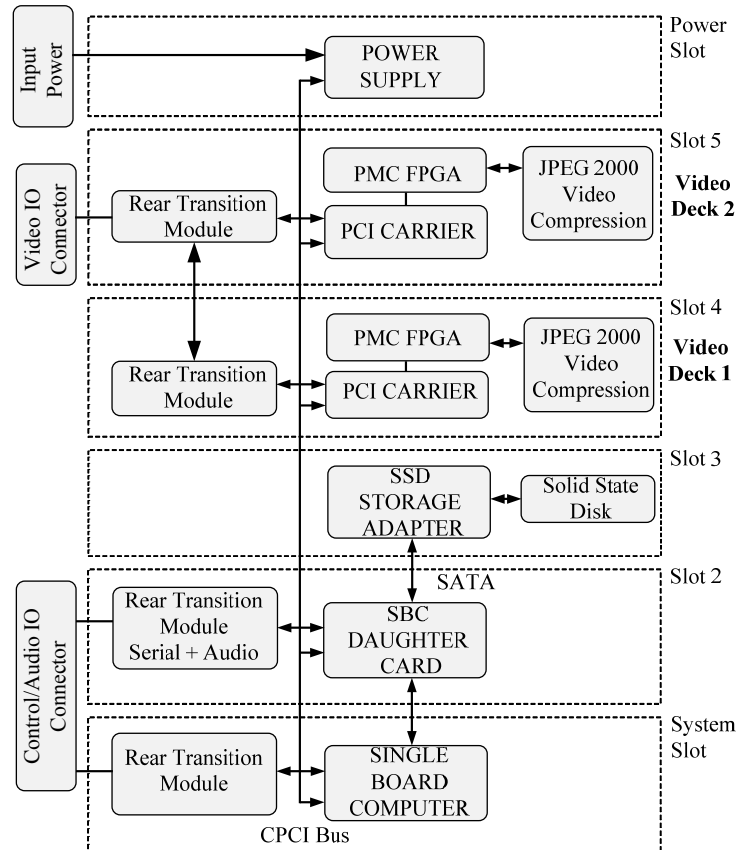
## Software Support

- ◆ Linux, Ubuntu, development and runtime environment
- ◆ Configurable command interface
- ◆ Gstreamer based Media Framework

This product overview identifies products, their specifications, and their characteristics, which may be suitable for certain applications. It does not constitute an offer to sell or a commitment of present or future availability, and should not be relied upon to state the terms and conditions, including warranties and disclaimers thereof, on which GEICO may sell products. A prospective buyer should exercise its own independent judgment to confirm the suitability of the products for particular applications. GEICO reserves the right to make changes, without notice, to any products or information herein which will, in its sole discretion, improve reliability, function, or design. GEICO does not assume any liability arising out of the application or use of any product or circuit described herein; neither does it convey any license under its patent or other intellectual property rights or under others. This disclaimer extends to any prospective buyer, and it includes GEICO's licensee, licensee's transferees, and licensee's customers and users. Availability of some of the products and services described herein may be restricted in some locations.

GEICO, Inc.

Email Contact: [info@gecoinc.com](mailto:info@gecoinc.com)



**System Block Diagram**

GEICO can provide off-the-shelf units pre-programmed to your specific requirements, or we can provide the development tools required for you to implement your own unique requirements.

For more information on how GEICO can work with you to meet your product or system needs, or offer design services to complement your own staff, please contact us.

GEICO and the Stylized GEICO Logo are registered in the U.S. Trademark Office. PowerPC is a trademark of IBM Corp. and used under license. Motorola is trademarked and used under license. CompactPCI and PICMG are registered trademarks of the PCI Industrial Computer Manufacturers Group. All other product or service names are the property of their respective owners.

Geico, Inc  
1754 North 48th Street  
Mesa, Arizona, 85205



Tel: +1 480 222 6800 Fax: +1 480 222 6808

[www.gecoinc.com](http://www.gecoinc.com)